



Our *passion* is enclosures.



# QUADRO

Solid suspension systems 50 - 60 - 80

# Technical data

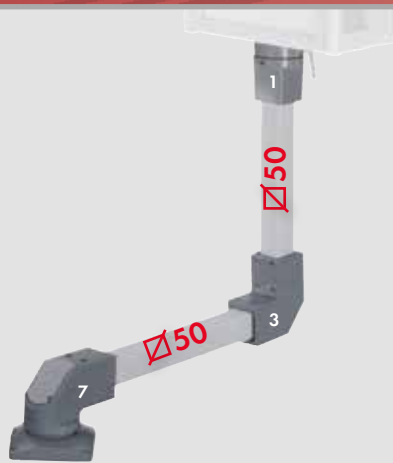
## QUADRO 50 - 60 - 80



QUADRO attachment joint, intermediate joint, elbow, coupling



QUADRO base, coupling



QUADRO socket joint, elbow, coupling



Combination of taraPLUS and QUADRO 50

### Material system elements:

Die-cast aluminium (Al Si 12)  
Spheroidal graphite (GGG40)

**Material tubes:** Steel, drawn

### Tubes:

Rectangular 50mm  
Rectangular 60mm  
Rectangular 80mm  
Round Ø 48mm

**Bellows:** RAL 7035, light grey

**Ring tapping screws:** Steel, galvanised

**Ingress Protection:** IP54 / EN 60529

**System element surface:** Powder coating RAL 7040, window grey

**Tube surface:** Powder coating RAL 7035, light grey

### Optional:

**Control enclosure:** staKOM, topVISION and multiVISION

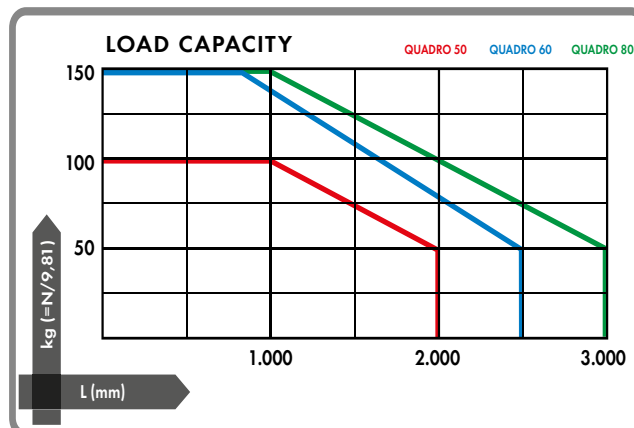
**Surface:** System element special colours  
Tube special colours

QUADRO system elements:

QUADRO 50		g	QUADRO 60		g	QUADRO 80		g	Type
	Mat. no.			Mat. no.			Mat. no.		
1	147.025.500	1.250	11	147.025.100	2.150	21	147.025.700	3.100	Coupling
2	147.035.500	2.000	12	147.035.100	3.850	22	147.035.700	6.550	Elbow coupling
3	147.020.500	1.350	13	147.020.100	3.850	23	147.020.700	2.400	Elbow
3a	149.021.000	1.480							taraPLUS/QUADRO 50 elbow
4	147.020.501	25				24	147.020.701	80	Control lamp adapter
5	147.015.000	4.250	15	147.015.100	5.550	25	147.015.200	10.000	Intermediate joint
6	147.010.000	4.350	16	147.010.100	5.700	26	147.010.200	9.450	Wall joint
7	147.005.500	5.400	17	147.005.100	9.300	27	147.005.700	15.700	Socket joint
8	147.040.000	6.650							Tube rotation joint
9	147.030.000	3.250	19	147.030.100	3.750	29	147.030.200	7.000	Base
10	147.025.002	3.000	20	147.025.102	2.900	30	147.025.202	2.900	Inclination coupling
31	140.045.000	1.100	31	140.045.000	1.100	31	140.045.000	1.100	Inclination adapter 30°/60°
32	144.020.500	3.375	32	144.030.500	3.375	32	144.040.500	3.375	Rectangular tube 0.50 m
32	144.021.000	6.750	32	144.031.000	6.750	32	144.041.000	6.750	Rectangular tube 1.00 m
32	144.021.500	10.125	32	144.031.500	10.125	32	144.041.500	10.125	Rectangular tube 1.50 m
32	144.022.000	13.500	32	144.032.000	13.500	32	144.042.000	13.500	Rectangular tube 2.00 m

Figure no. on the following pages

Approvals:



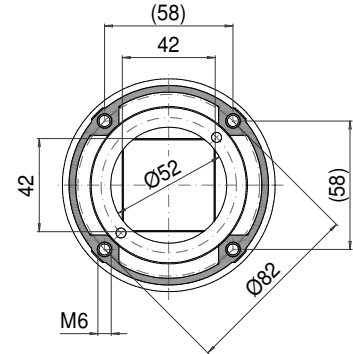
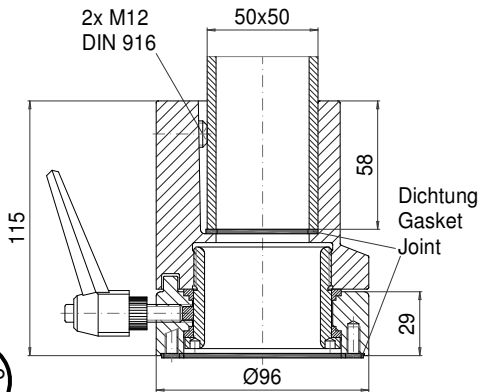
# ROLEC Function and dimensions of the system elements

## QUADRO 50

Enclosure coupling



300°



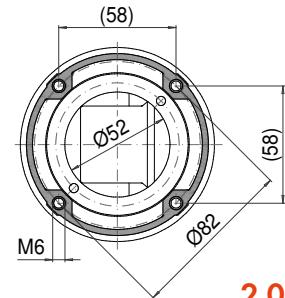
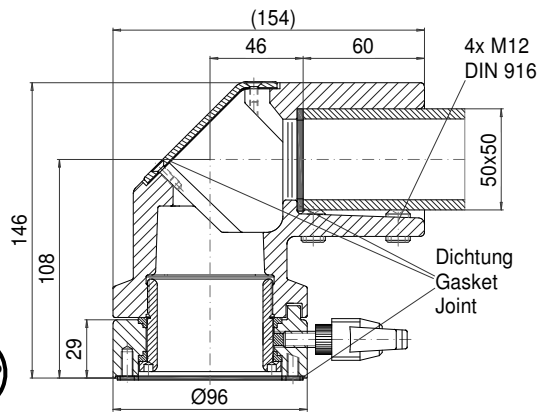
147.025.500

1.250 g

Elbow coupling



300°



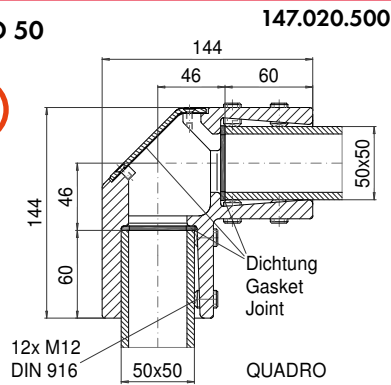
147.035.500

2.000 g

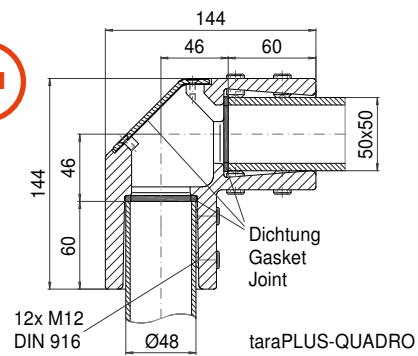
Elbow/taraPLUS-QUADRO 50



3



3a

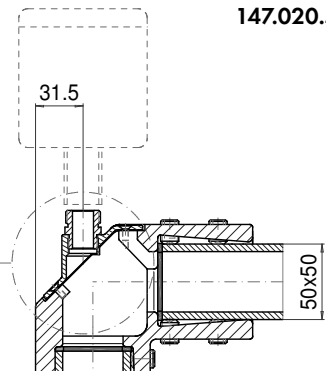
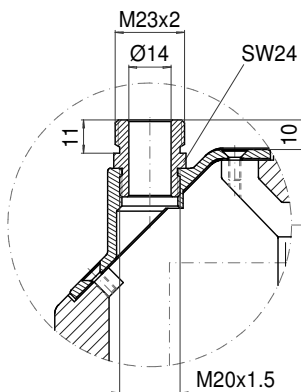


147.020.500

149.021.000

1.350/1.480 g

Control lamp adapter



147.020.501

25 g

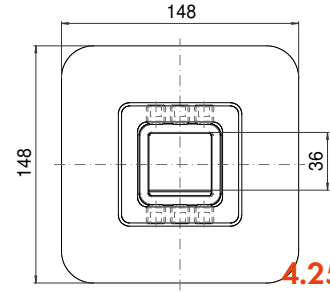
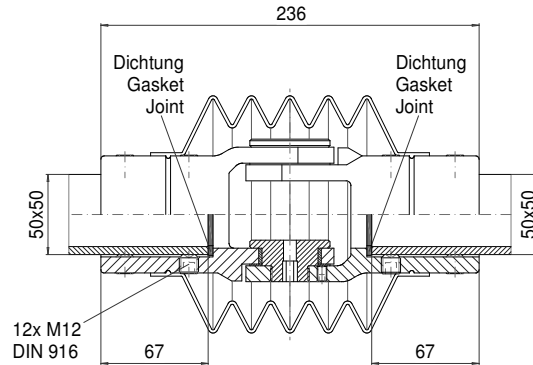
# QUADRO 50

Intermediate joint

147.015.000



170°



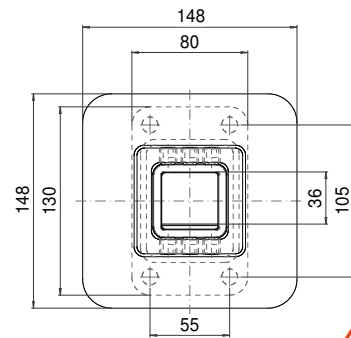
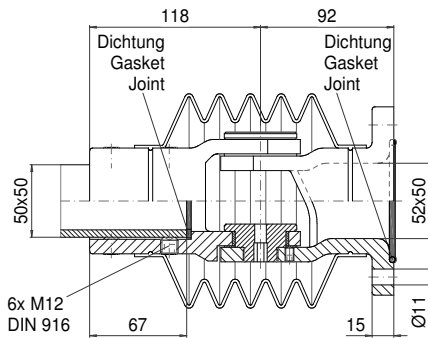
4.250 g

Wall joint

147.010.000



170°



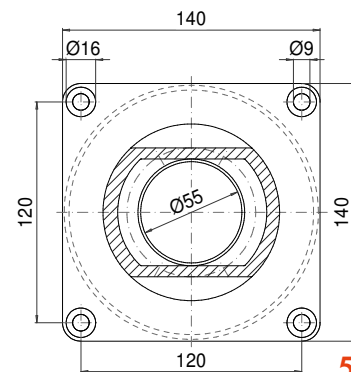
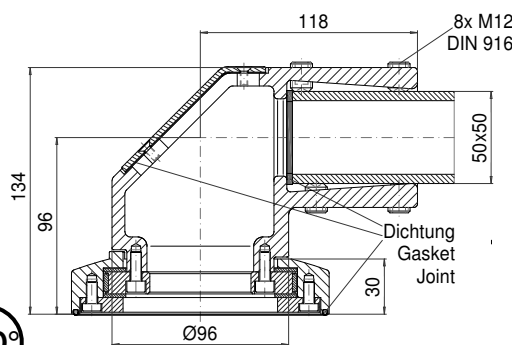
4.350 g

Socket joint

147.005.500



300°



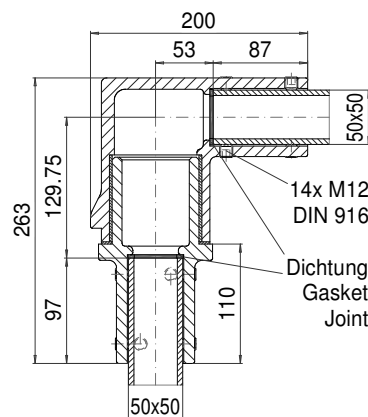
5.400 g

Tube rotation joint

147.040.000



325°



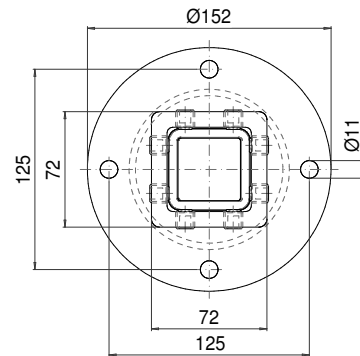
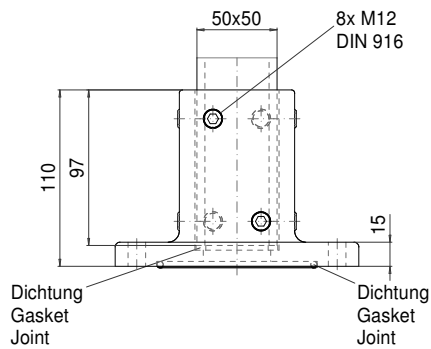
6.650 g

# ROLEC Function and dimensions of the system elements

## QUADRO 50

Base

147.030.000



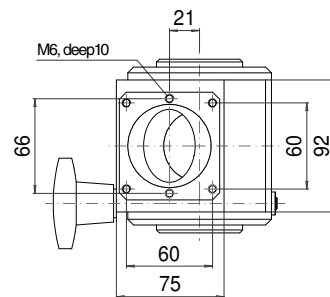
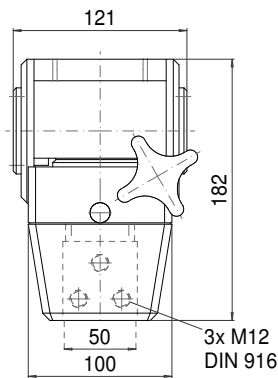
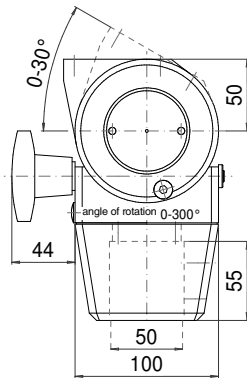
3.250 g

Inclination coupling

147.025.002



Enclosure max. 300 N



3.000 g

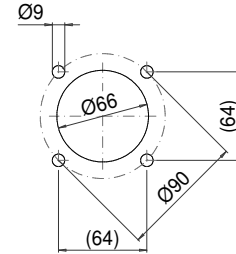
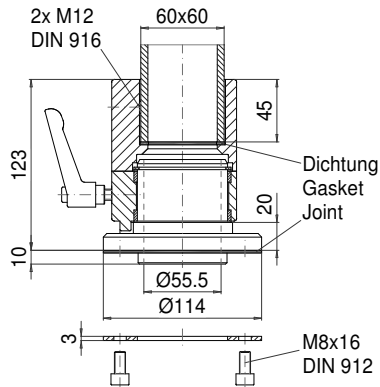
**QUADRO 60**

Enclosure coupling

147.025.100



11



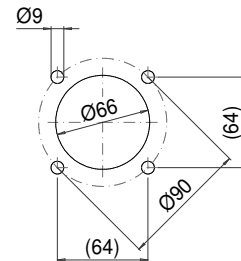
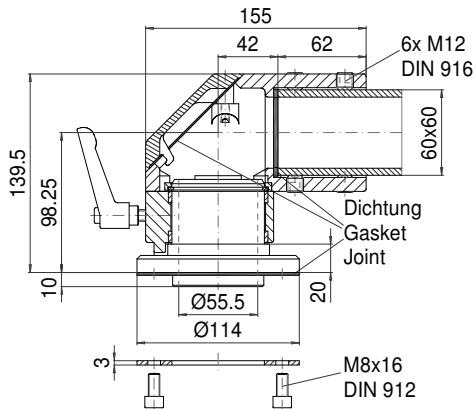
2.150 g

Elbow coupling

147.035.100



12



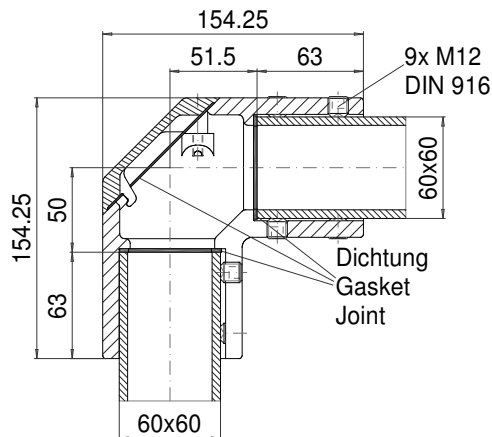
3.850 g

Elbow

147.020.100



13



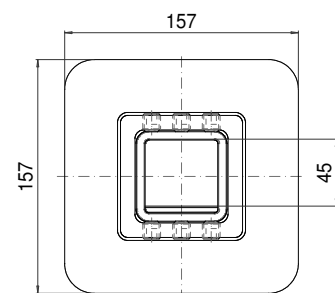
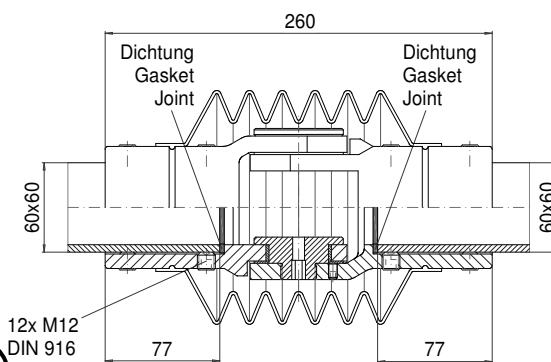
3.850 g

Intermediate joint

147.015.100



15



5.550 g

# ROLEC Function and dimensions of the system elements

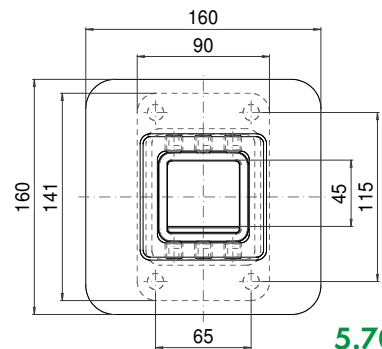
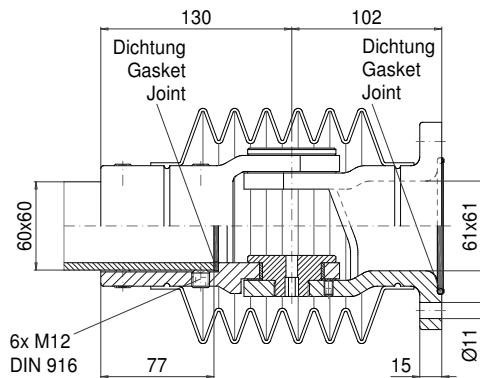
## QUADRO 60

Wall joint

147.010.100



16



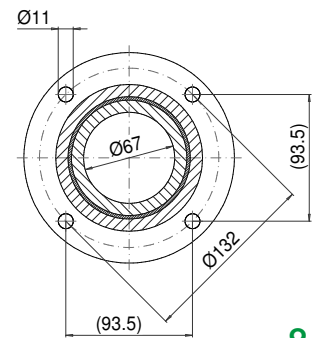
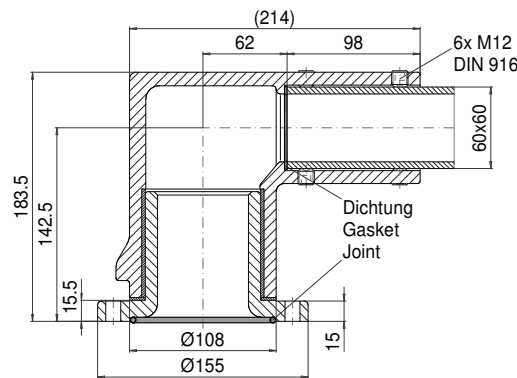
5.700 g

Socket joint

147.005.100



17



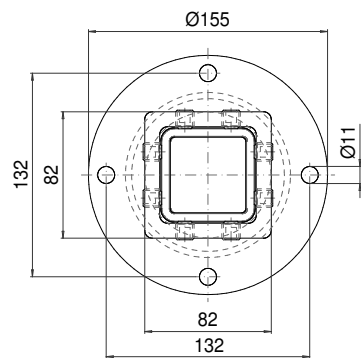
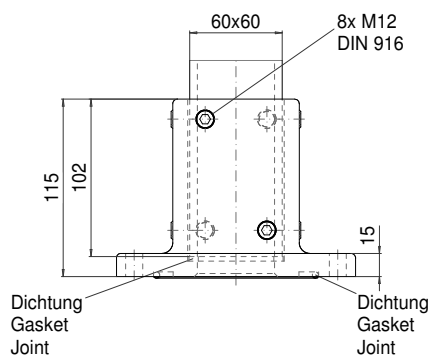
9.300 g

Base

147.030.100



19



3.750 g

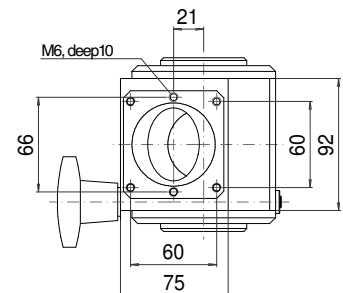
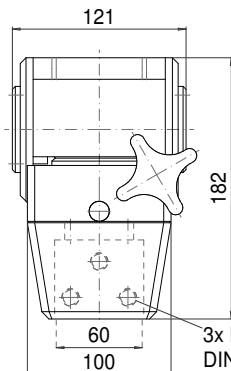
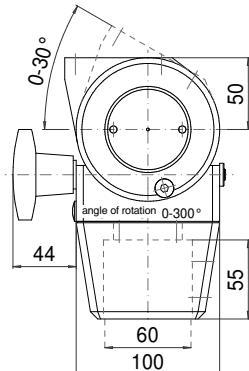
Inclination coupling

147.025.102



20

Enclosure max. 300 N



2.900 g



**QUADRO 80**

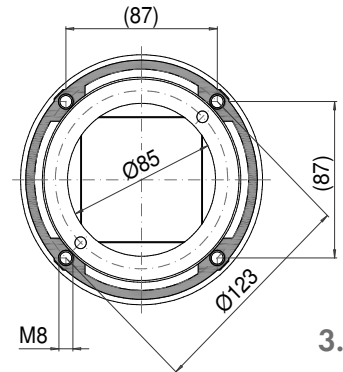
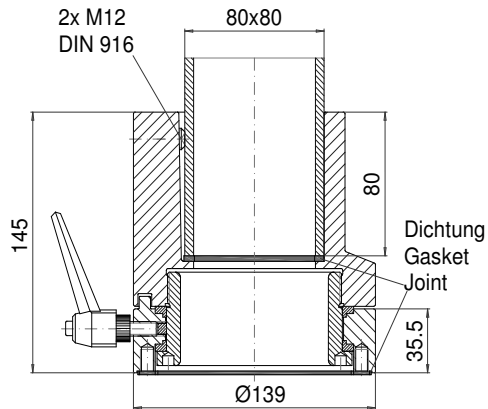
Enclosure coupling

147.025.700



21

300°



3.100 g

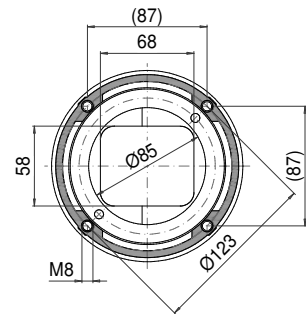
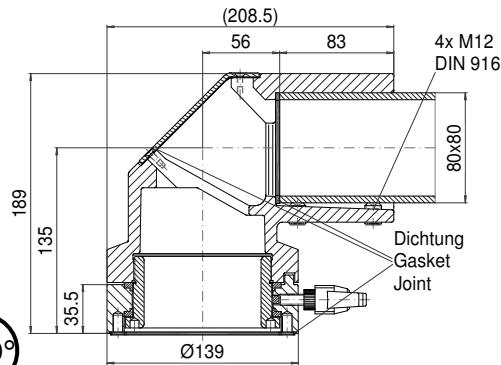
Elbow coupling

147.035.700



22

300°



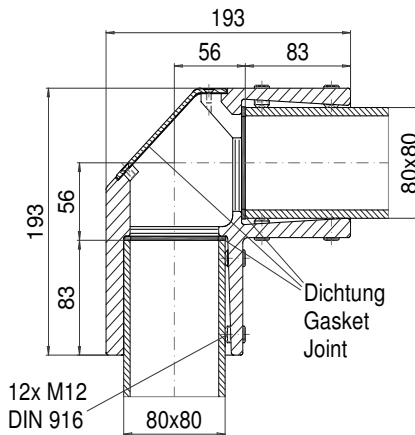
6.550 g

Elbow

147.020.700



23



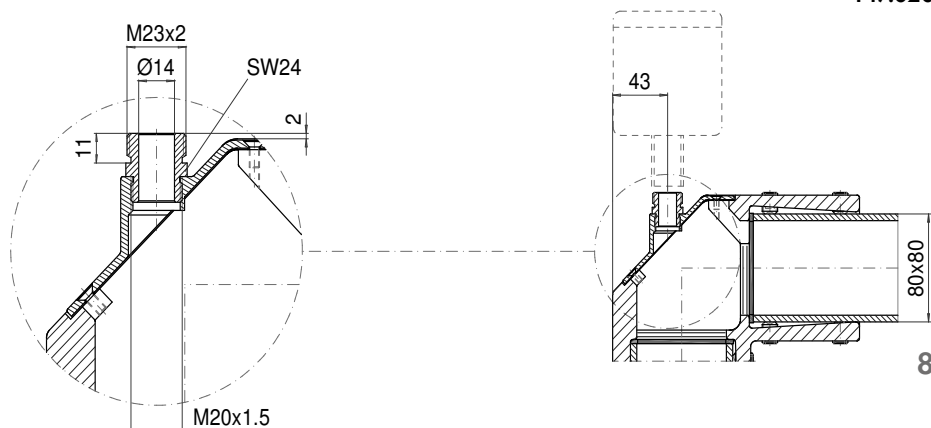
2.400 g

Control lamp adapter

147.020.701



24



80 g

# ROLEC Function and dimensions of the system elements

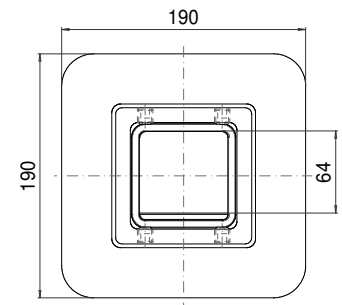
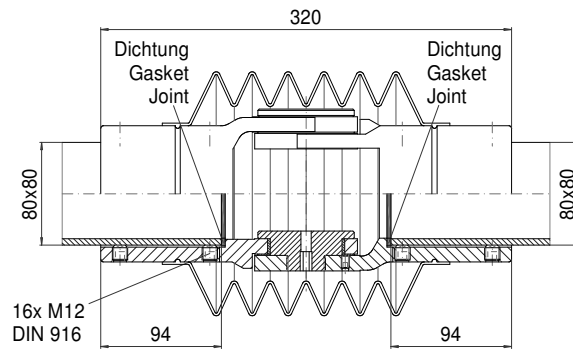
## QUADRO 80

Intermediate joint

147.015.200



170°



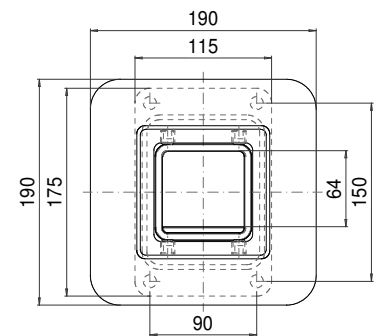
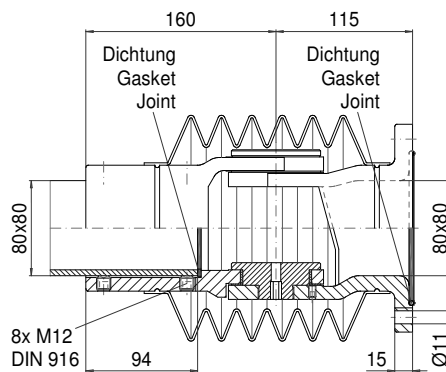
10.000 g

Wall joint

147.010.200



170°



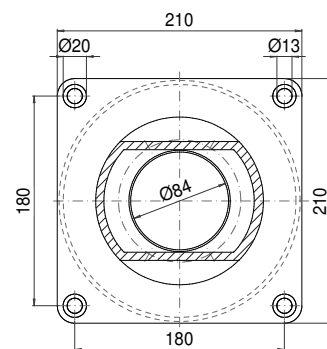
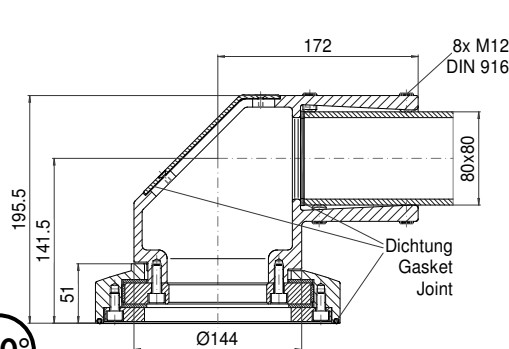
9.450 g

Socket joint

147.005.700



300°



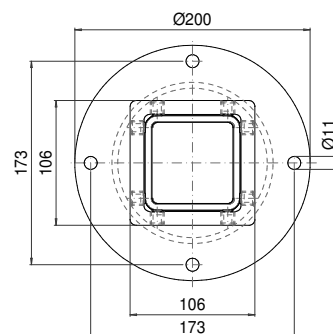
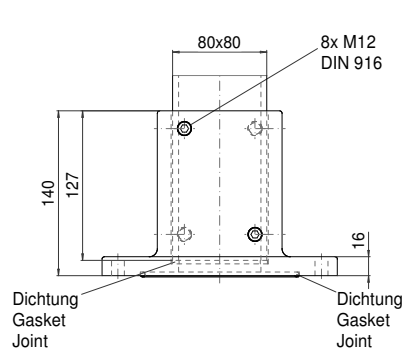
15.700 g

Base

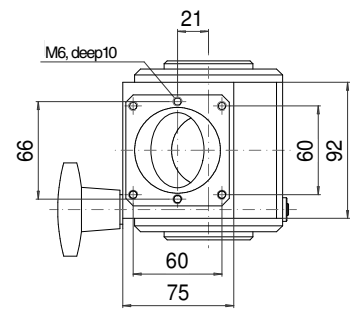
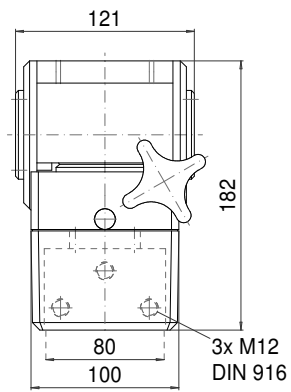
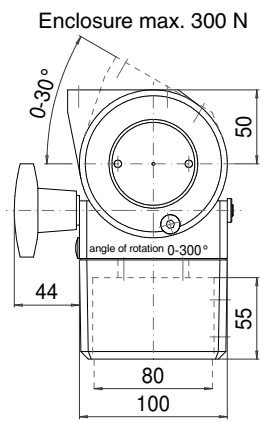
147.030.200



29



7.000 g

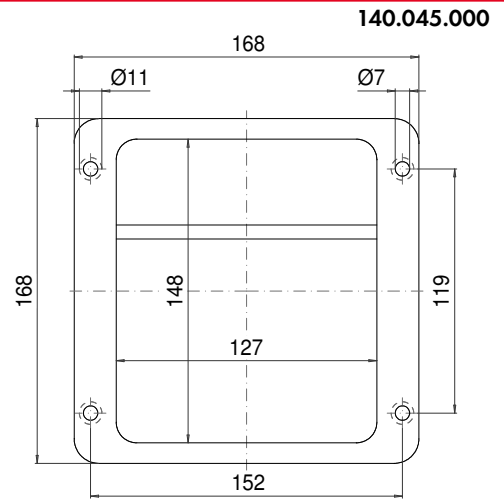
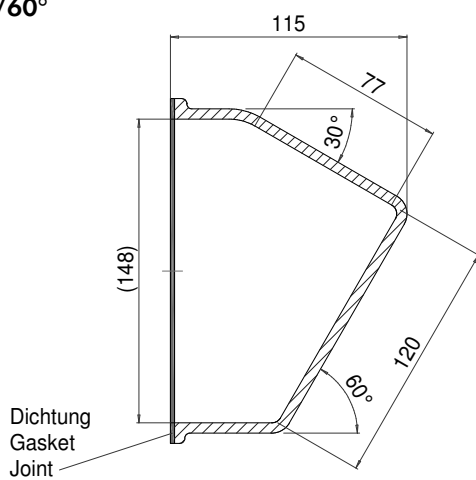
**QUADRO 80****Inclination coupling****147.025.202****2.900 g**

# ROLEC Function and dimensions of the system elements

## QUADRO 50 - 60 - 80

Inclination adapter 30°/60°

**QUADRO 50**  
**QUADRO 60**  
**QUADRO 80**



140.045.000

1.100 g

1.100 g

1.100 g

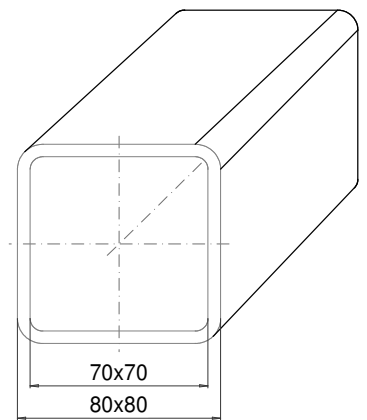
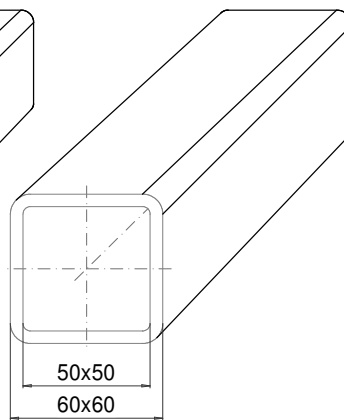
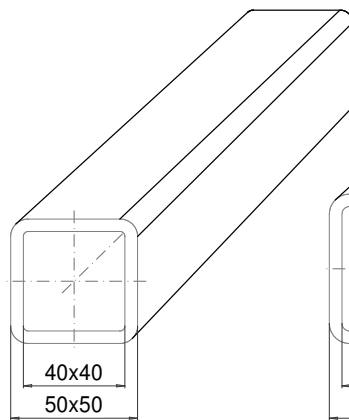
Rectangular tube

**QUADRO 50**  
**QUADRO 60**  
**QUADRO 80**

0,50 m 144.020.500  
 1,00 m 144.021.000  
 1,50 m 144.021.500  
 2,00 m 144.022.000

0,50 m 144.030.500  
 1,00 m 144.031.000  
 1,50 m 144.031.500  
 2,00 m 144.032.000

0,50 m 144.040.500  
 1,00 m 144.041.000  
 1,50 m 144.041.500  
 2,00 m 144.042.000



1,00 m=6.750 g

1,00 m=7.720 g

1,00 m=10.480 g